

**Submersible Single-phase  
Resin Made Pumps**

**TSURUMI PUMP**  
For The Earth, For All The People

**50NHPU 2.15S  
50NHPU 2.4S**

**50Hz  
MODEL**

**With Plug**



**Corrosion-  
resistant**

(Resin and 316L stainless steel shaft)

**Compact,  
lightweight and easy to handle**

**Continuous duty operation**



**Liquid Paraffin Oil  
= Fish Friendly**

Waterscape



Industry



Wastewater

**TSURUMI UNIVERSE**

# Features

## 1 Motor Protector Miniature Thermal Protector

Detects excess heat, therefore, protecting the pump against overheating and dry-running.

## 2 Dual Inside Mechanical Seals

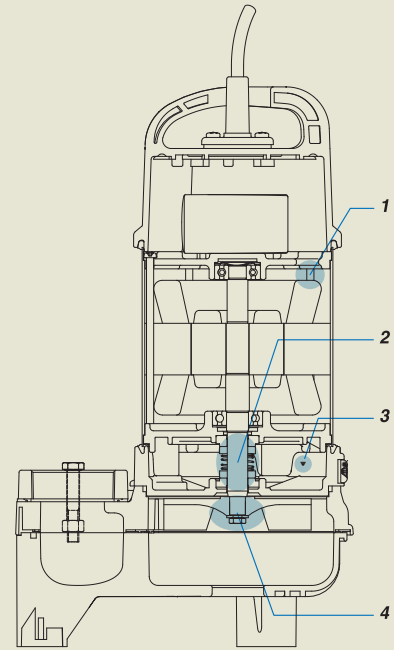
Isolated in the oil chamber where a clean, non-corrosive and abrasion-free lubricating environment is maintained. Compared with the water-cooled outside mechanical seal, it reduces the risk of failure caused by dry-heating and adhering matter.

## 3 Liquid Paraffin Oil = Fish Friendly

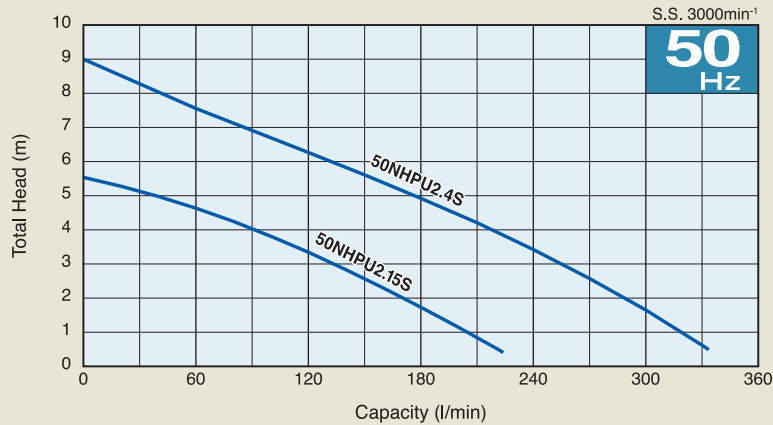
This high-purity oil is commonly used in the cosmetics, pharmaceuticals and food processing equipment. Because it is a food grade lubricant, the pump can be safely used for water features in carp/koi ponds and fish farms.

## 4 Resin Vortex Impeller

Resists wear caused by abrasive particles and enables the pump to maintain its original performance for an extended period of time.



# Performance Curves



# Model Selection

Discharge Bore mm	Model	Motor Output kW	Phase	Starting Method	Solids Passage mm	Dimensions L x W x H mm	Dry Weight** kg	Cable Length m
50 (40) <sup>*1</sup>	<b>50NHPU2.15S</b>	0.15	Single	Capacitor Run	35	225 x 151 x 348	6.5	5
50	<b>50NHPU2.4S</b>	0.4	Single	Capacitor Run	25	236 x 167 x 391	8.5	5

<sup>\*1</sup> 40 mm discharge bore available on special request    <sup>\*\*2</sup> Weights excluding cable

We reserve the right to change the specifications and designs without prior notice. The OO series and model OO are indicated with our series/model codes in this catalog.

**TSURUMI  
MANUFACTURING CO., LTD.**

www.tsurumi-global.com



Web



Social Media

Your Dealer

© 2023 TSURUMI MANUFACTURING CO., LTD.  
Printed in Japan IS130-A ITP-X-G-A